

GUARD ONE

EN

Operation and Maintenance Documentation GUARD ONE

PL

Dokumentacja techniczno-ruchowa GUARD ONE



SONNIGER S.A.

ul. Podolska 21, 81-321 Gdynia, Poland, infolinia 801 055 155, tel. + 48 58 785 34 80, www.sonniger.com
Sąd Rejonowy Gdańsk-Północ, VIII Wydział Gospodarczy Krajowego Rejestru Sądowego, KRS 0000966611, NIP 586 227 35 14
Regon 22154369 kapitał zakładowy: 1.655.000 PLN

1. PURPOSE OF THE DEVICE

The GUARD ONE air curtain is a compact and modern device dedicated to protecting against heat loss in buildings by directing an airstream across the entrance to prevent cold air from entering the heated space. In summer, the curtains may be used as cooling devices preventing the entry of hot air and pollutants from outside. The GUARD ONE is a "Plug & Play" device, the air curtain has built-in controls and motion sensor. The curtain is equipped with a three-speed motor, the full speed range is available only with the use of additional control.

2. BASIC TECHNICAL PARAMETERS

TECHNICAL PARAMETERS		GUARD ONE E	GUARD ONE C
Length of unit	m		1,1
Max range of airflow	m	2,5	2,9
Air output I / II / III speed*	m ³ /h	1050/1400/1950	1200/1600/2100
Heat output	kW	3 kW	-
Motor power supply, consumption	V/Hz A	230/50 0,7A	
Motor power	W	100	
Electric heater power supply, consumption	V/Hz A	230/50 14,3	-
weight	kg	12,9	11,7
Volume level I / II / III	dB (A)	42 / 46 / 56	43 / 48 / 56
Protection class IP		IP20	

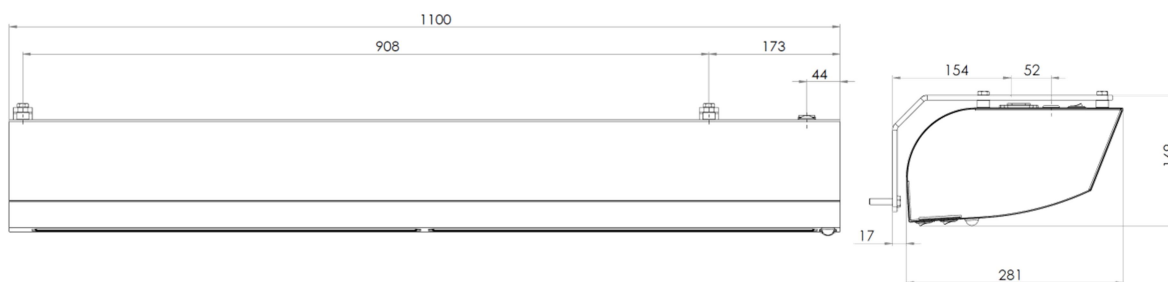
* speed II available only with the COMFORT NEW controller

Noise level measured at a distance of 3 m in open space building

Tested according to ISO 27327-1 and ISO 27327-2

The range of airstream can be smaller in building with significant pressure difference

DIMENSIONS OF THE GUARD ONE



3. GENERAL AND SAFETY PRINCIPLES

The GUARD ONE air curtains are manufactured in compliance with the rules and standards concerning quality, ecology, utility, and work comfort. Before starting the device be sure to read the Manual carefully.

The GUARD ONE air curtains are delivered ready-to-use in a cardboard package that is to protect from any mechanical damage. The package consists of the device, the Manual (Operation and Maintenance Documentation), and the Guarantee. If the optional automatic control is ordered, it shall be delivered in a separate package. Make sure all the aforementioned elements are in the package immediately after delivery. In the absence of any element, please fill in the suitable carrier document.

NOTICE!

- ❶ Before mounting the device, read the manual carefully and adhere to the rules concerning the mounting procedures. Not applying to the rules may result in the inappropriate functioning of the device and the loss of the guarantee rights.
- ❶ Pay special attention when working with electrical elements of the device.
- ❶ Only suitably qualified staff well acquainted with the safety regulations concerning handling an electrical device must be employed when the device is being installed, started, and operated.

4. INSTALLATION

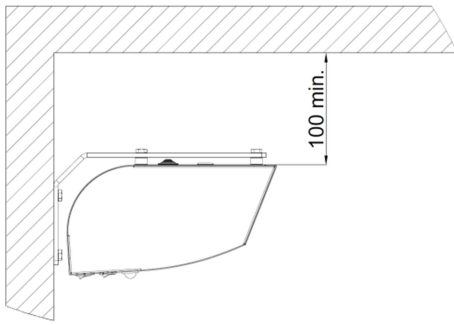
When deciding on the air curtain position you should take into account such factors as:

- 🔧 Ease of access for servicing,
- 🔧 Access to electricity supplies

It is recommended to install the air curtain in position above the entrance opening, on the wall or under the ceiling, on support pins or horizontal mounting brackets.

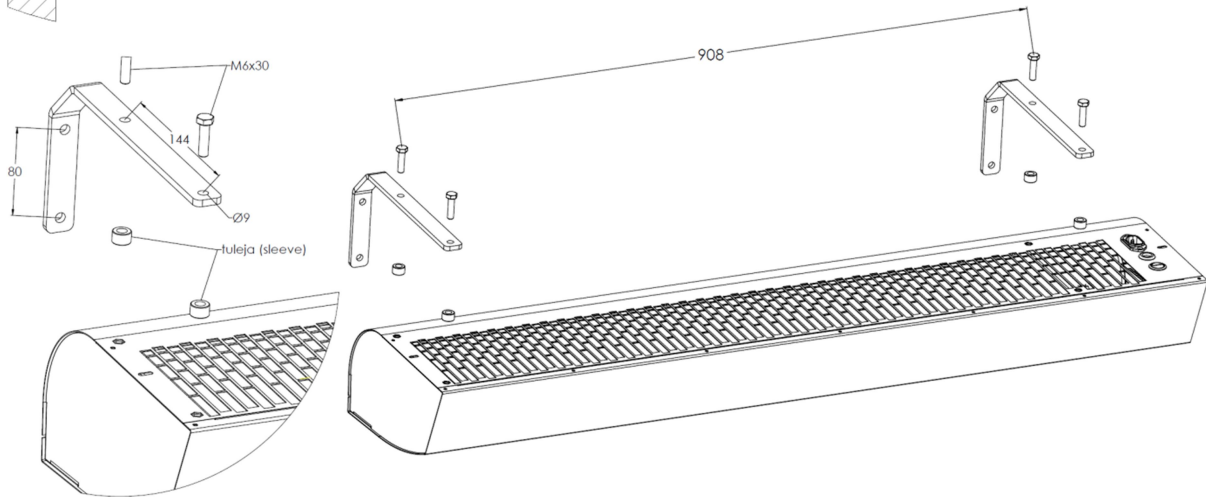
It's important to make sure that the unit is properly leveled. In case of positioning in a different way than horizontally, during installation, damage to the fan may occur and as a consequence malfunction of the unit.

Inlets and outlets cannot be blocked by any objects. When installing the curtains, keep in mind that you will have free access to the control panel. With larger door openings, it is possible to mount more curtains of the same type one next to the other, to create an uninterrupted airflow. The curtain is permanently mounted in a horizontal position (either on the left or right side of the entrance)



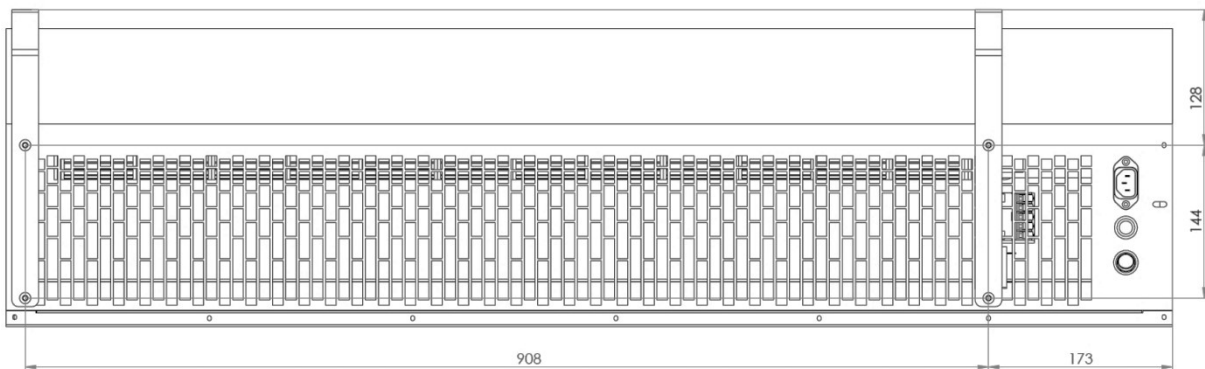
Wall installation by means of horizontal brackets

The curtain can be mounted to the wall in a horizontal position using 2 mounting brackets to the horizontal system. In the brackets there are Ø9mm holes for M6 screws. Then insert the spacer sleeves into the holes and fix the brackets. Screw the remaining screws into the nuts under the steel intake grille so that both grips are in one plane.



Horizontal installation under the ceiling using mounting pins

Installation under the ceiling is done by using 4 M6 pins. The pins should be screwed into the nippers at a depth of 10 to 14 mm. The exact location is indicated on below drawing



NOTICE!

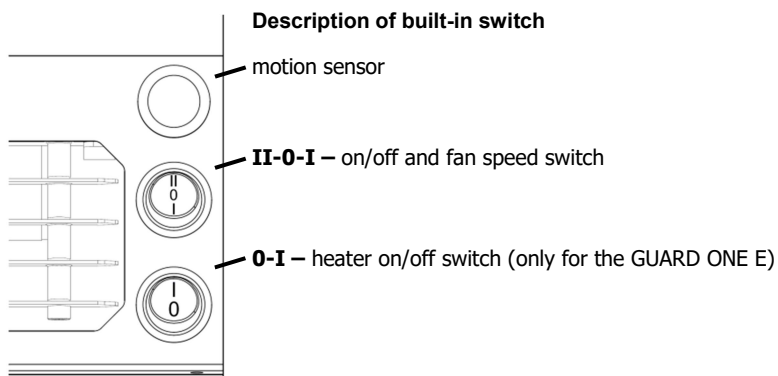
- ❗ It is necessary to ensure that the unit is properly leveled. When it is mounted in a position other than horizontal there is a risk of fan damage and unit malfunction

5. AUTOMATIC CONTROL

The GUARD ONE air curtain is equipped with a three-position switch, motion sensor and power supply cable with plug. Additionally, there is possibility to connect an external control panel with thermostat and/or GUARD door switch. Additional accessories are not part of the set. The functions of the controls are shown below:

	Built-in controls	Additional controls
On/off	✓	✓
COMFORT NEW	-	✓
Speed support	I / III	I / II / III
Modes of operation	HEAT / FAN	HEAT / FAN / COOL
Motion sensor	✓	✓
Magnetic switch	-	✓
Thermostat	-	✓

5.1. BUILT-IN CONTROLS



5.2. PANEL COMFORT NEW



COMFORT NEW panel description

OFF-I-II-III - switch and fan speed regulation

HEAT - the thermostat gives an operation signal to the actuator and fan, the fan turns off when the set temperature is reached
 an operation signal to the actuator and fan, the device starts to work when the set temperature is reached

It is possible to use an additional change of the SR1 to SR1 CONST jumper position, in this case the fan can operate regardless of the thermostat. Thermostatic operation is only for valves. In this case:

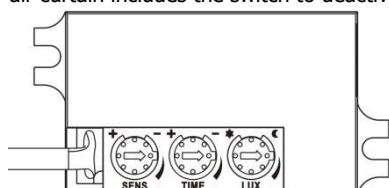
HEAT - fan operation regardless of the thermostat, valves work up to the set temperature

FAN - device fan operation, regardless of the thermostat, valves do not work

COOL - fan operation regardless of the thermostat, valves work from the set temperature

5.3. MOTION SENSOR

Built-in motion sensor is a part of the device. After detecting movement, the sensor turns on the air curtain: thanks to this feature, there is no need to turn on and off the device. The sensor parameters can be adjusted after removing the cover. The air curtain includes the switch to deactivate the sensor.



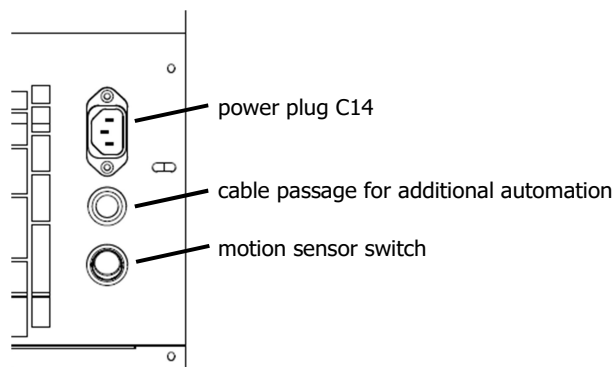
SENS – regulation of sensitivity

TIME – time delay from 10 s up to 7 min

LUX – light sensitivity

5.3.1. TURNING OFF THE MOTION SENSOR

The curtain is equipped with a switch that makes the operation of the device independent of the motion sensor. The switch is located on the top of the device, next to the power plug. In the "on" position, the curtain works bypassing the motion sensor or door switch.



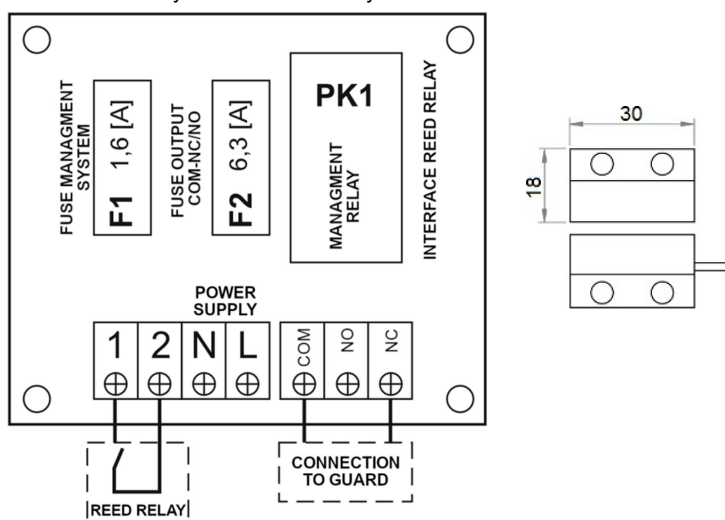
5.4. GUARD DOOR SWITCH

The GUARD (DC) door switch is an additional element for switching the curtain on/off, depending on the opening of the door. It is designed for indoor installation. It includes:

- 🔧 Relay cabinet - reed relay switchboard
- 🔧 Reed relay - Reinforcement for door-fitting, hermetic magnetic switch, consisting of a movable and fixed element.

The air curtain includes the switch to deactivate the sensor.

Scheme of the relay cabinet – reed relay interface



6. DIAGRAMS OF ELECTRICAL CONNECTIONS

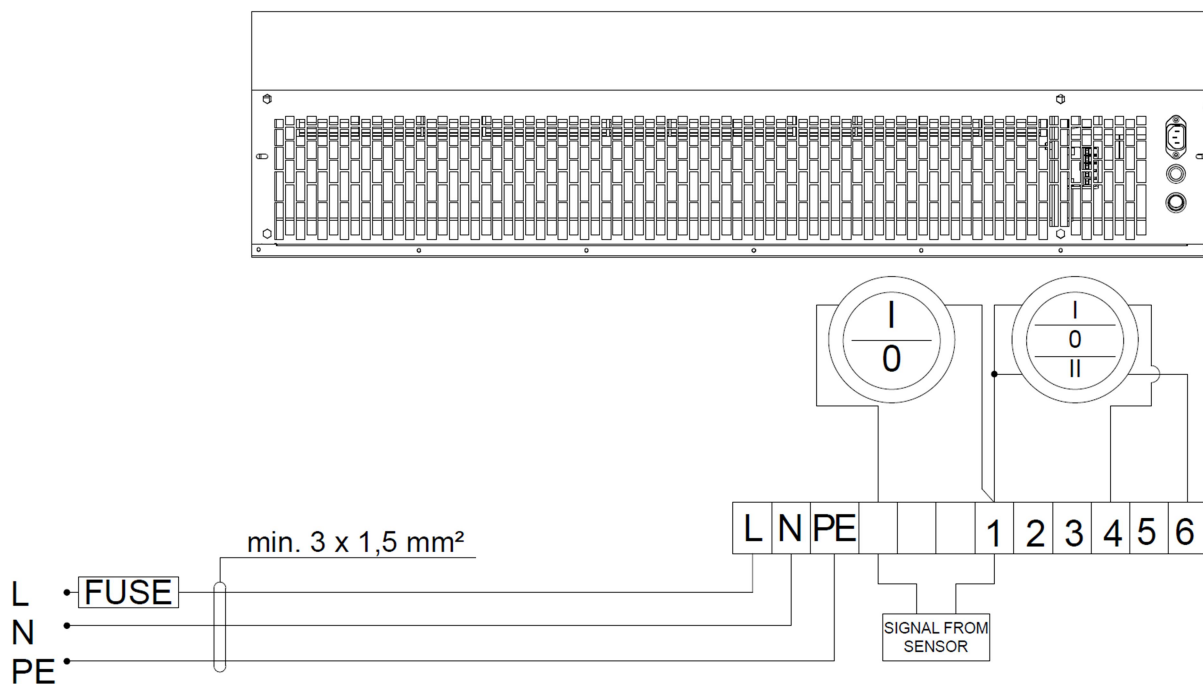
The electrical network to which the curtain will be connected should protect against overheating and short-circuiting. It is necessary to protect the air curtain by grounding. Electrical installation and connection to the air curtain must be following applicable building codes and regulations, electrical connection should be carried out by a qualified person familiar with the above instruction. The fan motor has standard internal thermal protection to protect the motor from overheating.

The air curtain is equipped with a 1m power cable and C14 plug, the curtain also includes integrated controls. For the external control panel or any other power cable, the wire must pass through the cable gland

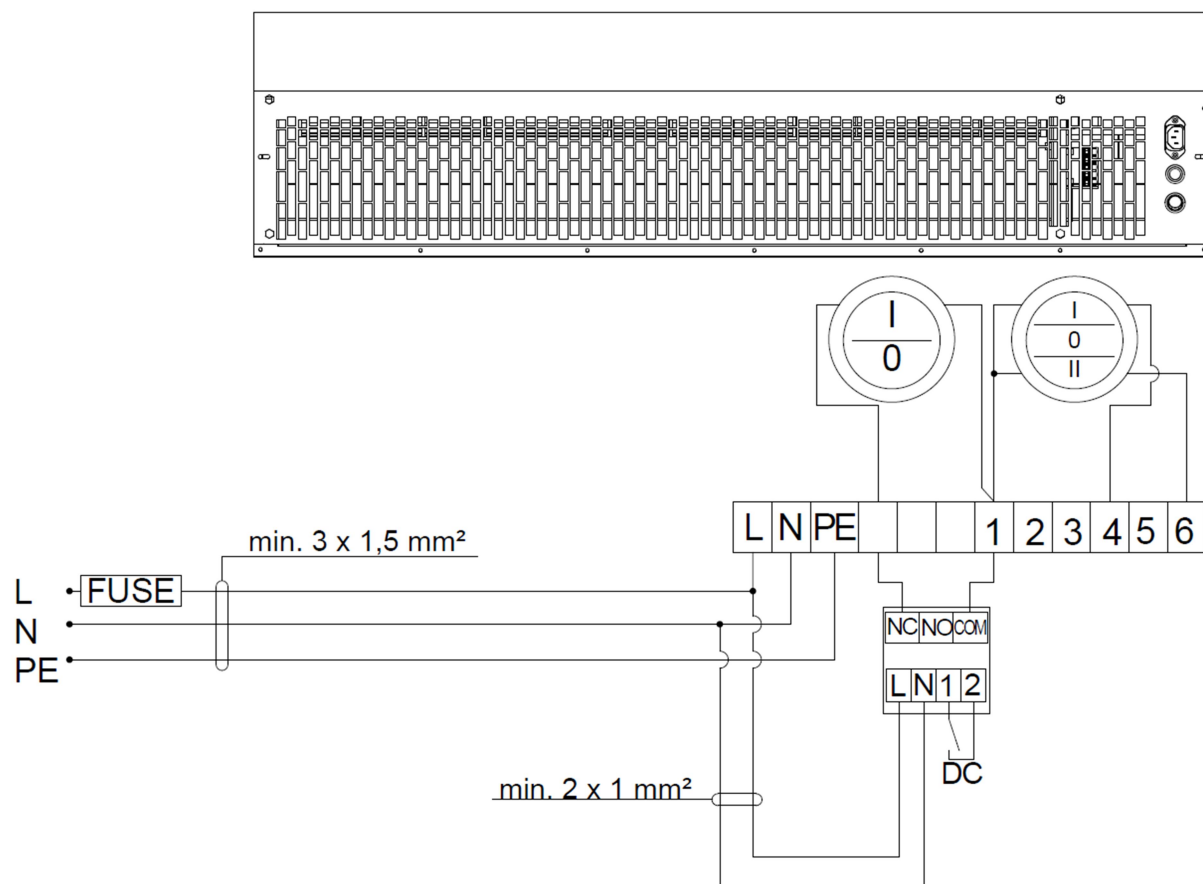
NOTICE!

- ⓘ Any repair and maintenance work must be conducted with the power off.
- ⓘ Pay special attention when working with electrical elements of the device.
- ⓘ Only suitably qualified staff well acquainted with the safety regulations concerning handling an electrical device must be employed when the device is being installed, started, and operated.

6.1. Connection diagram of GUARD ONE C with basic control



6.2. Connection diagram of GUARD ONE C with DOOR SWITCH

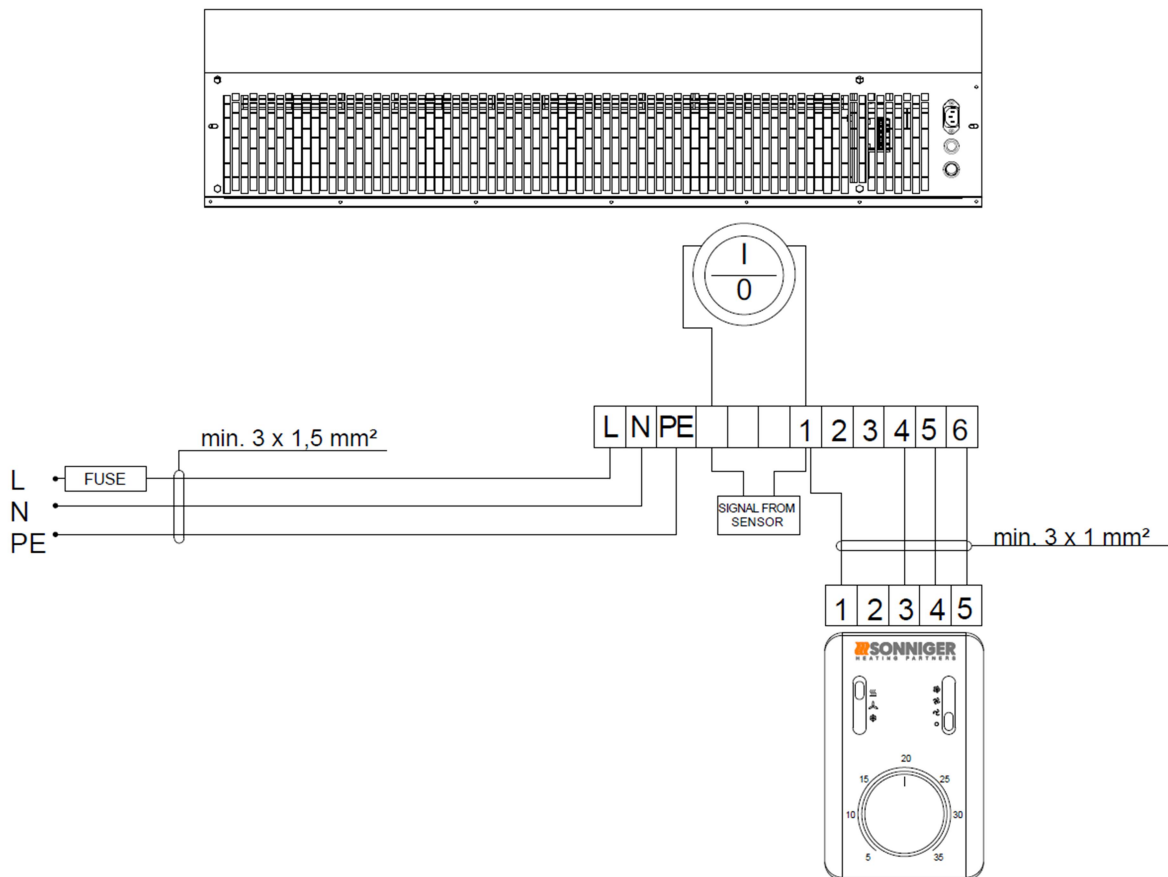


When working with the DOOR SWITCH, the motion sensor must be disconnected.

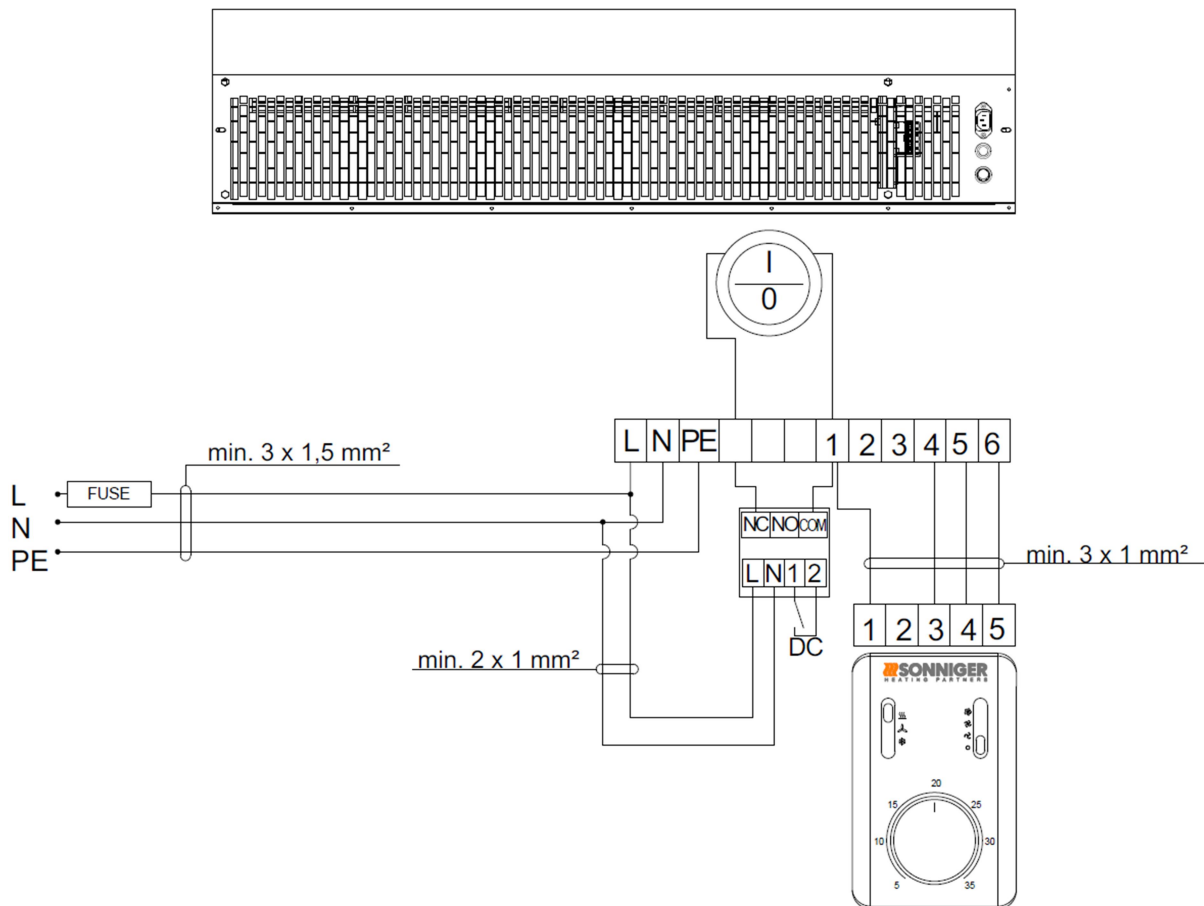
6.3. Connection diagram of GUARD ONE C with COMFORT NEW panel

- NOTICE!**
- ❶ When working with an external thermostat, it is necessary to disconnect and secure the three-position switch.
 - ❶ When working with the DOOR SWITCH, the motion sensor must be disconnected and secured.

6.3.1. With motion sensor



6.3.2. With DOOR SWITCH

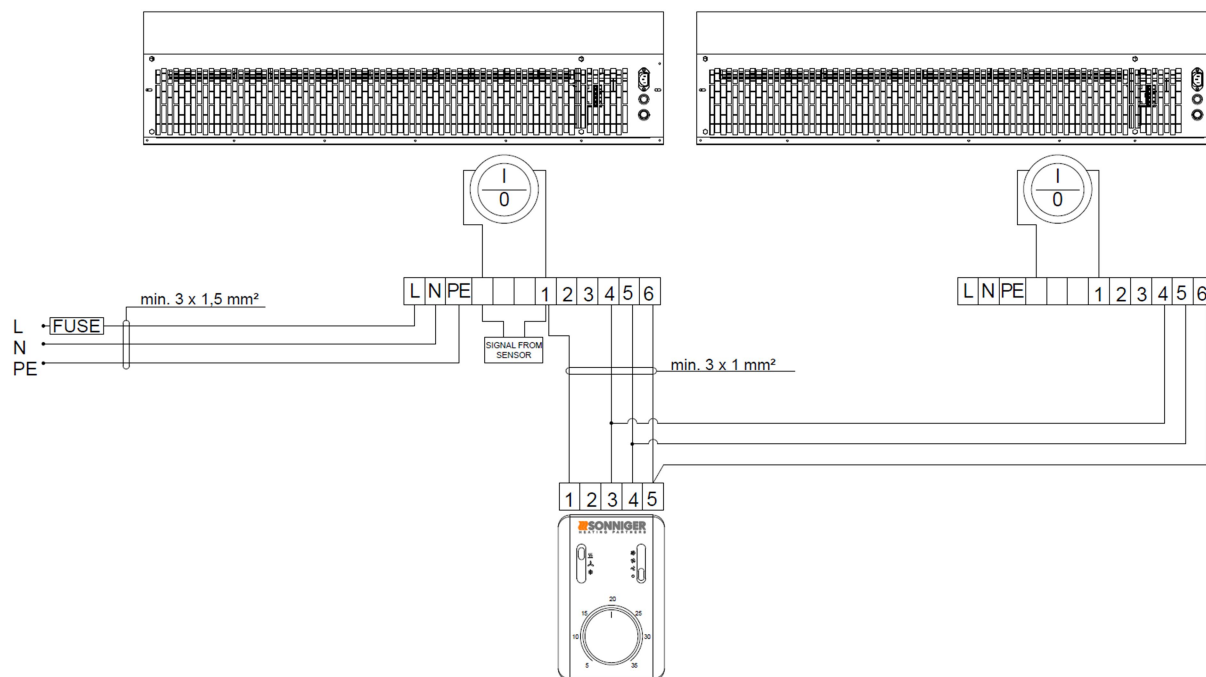


When working with DOOR SWITCH, the motion sensor must be disconnected.

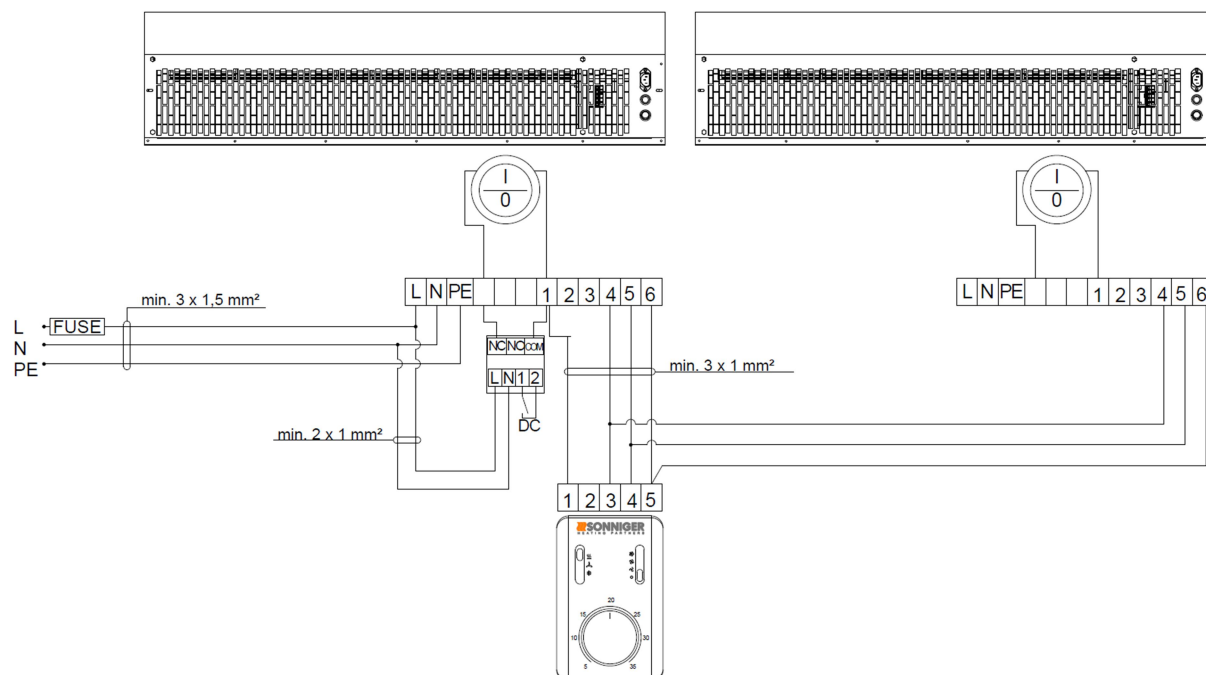
6.4. Connection diagram for multiple GUARD ONE C air curtains with COMFORT NEW controller

Multiple GUARD ONE C air curtains can only be connected to the COMFOR NEW panel, it is allowed to connect up to 5 units. If multiple air curtains are connected, the devices are controlled by a sensor connected to air curtain number one. This solution is available only for GUARD ONE C.

6.4.1. With motion sensor



6.4.2. With DOOR SWITCH



When working with DOOR SWITCH, the motion sensor must be disconnected

7. OPERATION AND MAINTENANCE

The engine and fan of the GUARD air curtains are maintenance-free devices but regular check-ups are advised, especially the motor and bearing (the fan's rotor should rotate freely, free from any axial and radial throws/run-outs and undesired knocks/rattles).

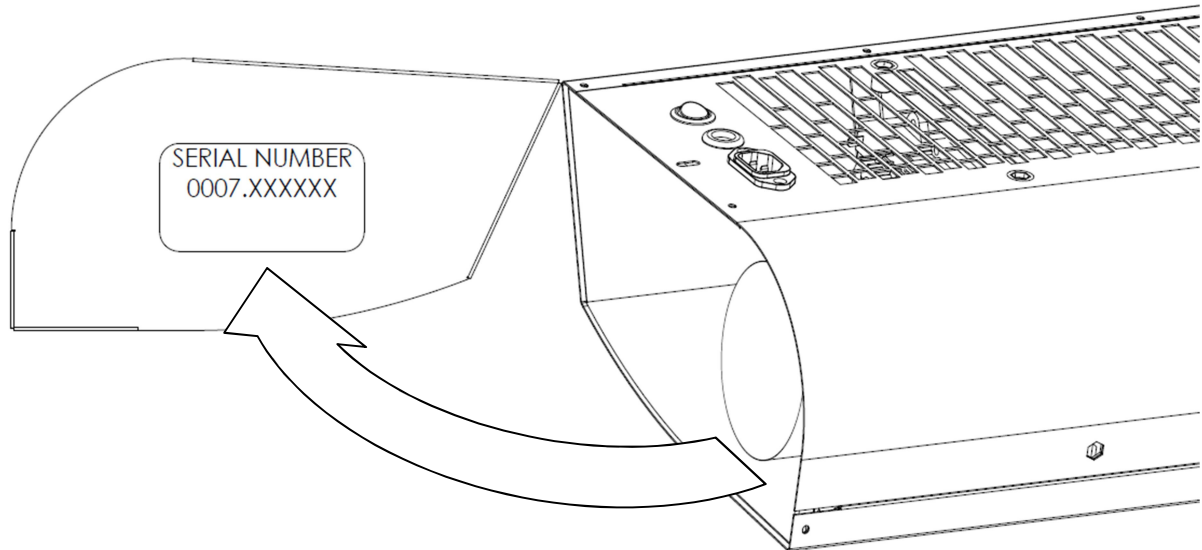
The heat exchanger requires systematic cleaning of all dirt/impurities off. The heat exchanger is equipped with fire protection device. In case of activation of the safety thermostat, it is necessary to re-arm it, and check the correct operation of the motor. Curtains with electric heaters are equipped with contactors responsible for conducting electricity to the heaters during curtain operation. Due to the nature of the element's operation, the wires in the terminals may loosen, it is necessary to check the electrical connections regularly, at least every 12 months.

NOTICE!

- ① Any repair and maintenance work must be conducted with the power off.
- ① Only suitably qualified staff well acquainted with the safety regulations concerning handling an electrical device must be employed when the device is being installed, started, and operated.
- ① If the device being operated gives a metallic clatter, or vibration or the level of noise is increasing, check if the mounting of the fan has not become loose – in case of any problems contact the installer of the device or the SONNIGER Authorized Service immediately.

SERIAL NUMBER

The serial number of the device is located on the inside of the housing, covering the connection strip.



COMPLIANCE WITH WEEE 2012/19 / EU

In accordance with applicable legal regulations, at the time of purchasing new electrical or electronic equipment with the following mark:



REMEMBER IT IS FORBIDDEN TO PLACE THE WORN EQUIPMENT WITH OTHER WASTE
For information on the waste collection system of electrical and electronic equipment, please contact your distributor

GUARANTEE TERMS AND CONDITIONS

§ 1 Guarantee Scope

1. This Guarantee covers material defects of the device which make its functioning impossible. This Warranty does not extend to the installation and maintenance works.
2. The Guarantee for the product sold by the Seller covers 24 months. The guarantee period commences upon the delivery of the device to the Buyer specified in the sales invoice. The warranty covers any parts/components specified in the scope of the delivery.
3. Products delivered by third persons are not guaranteed by this supplier.
4. Devices may be started and serviced only by qualified persons trained in the areas of maintenance and operation of the device. Any operations related to starting, maintenance, and repairs must be noted that such operations have occurred in the Guarantee Card.
5. The precondition for issuing the Guarantee by the manufacturer is the assembly and activation of the device following the Operation and Maintenance Documentation not later than 6 months after the date of the purchase.
6. The product is guaranteed for a full period of warranty only if service works implied in the Operation and Maintenance Documentation for the device specified in the 'Maintenance' section are carried out. All services related to the maintenance of the device are carried out at the User's cost and expense.
7. The provision of warranty services does not cease or suspend the duration of the Warranty. The warranty for replaced or repaired parts/elements shall end with the expiry of the Guarantee for the device.

§ 2 Warranty Exclusions/Disclaimers

1. The Warranty does not extend to the mechanical damages and damages to electrical parts caused by improper use, transport, abnormal voltage, or other damages arising from a product defect. For the above reasons, the Warranty is solely limited to the replacement of parts/components having construction defects that shall be delivered without any additional costs only if the defective part/component has been returned.
2. The Warranty for devices does not apply when technical mistakes occurred during the procedures concerning installation, regulation, and control including any of the following:
 - a) Defects caused by connecting a device to an inappropriately designed ventilation system that allows additional heat loads that do not meet any standards and decrease the efficiency of the heat exchanger.
 - b) Defects caused by connecting to the components or parts that are part of the heating system but have not been delivered by the Seller and whose inappropriate functioning harms the device's functioning.
 - c) Defects caused by connecting spare parts to components that are not original parts.
 - d) Defects incurred by reselling the product by the first buyer/user to another buyer who dismantles/installs the device that was previously installed and operated in a specific building and its conditions.
 - e) Defects caused by improper expertise and insufficient knowledge of the installer and technical staff who, improperly carry out after-sale service of the device
 - f) Defects caused by special conditions of use that differ from typical/standard applications unless the parties (the Seller and customer's technical staff) have previously agreed otherwise in writing.
 - g) Defects incurred by natural disasters such as fire, explosions, and other incidents that may result in damages to mechanical, electrical, and protection devices
 - h) Defects are caused by inappropriate cleaning of the technical facility or place where the device has been installed; cleaning must take place periodically to suit the specific working conditions and the amount of dust.
 - i) Defects arising from the absence or improper cleaning of heat exchangers; cleaning must be done periodically to suit the specific working conditions and the amount of dust.
 - j) Defects incurred by the inappropriate installation - inadequate for the low outside temperature of working conditions.
 - k) Defects incurred by the low temperature if no protection device is installed by the installing contractor to avoid:
 - low temperatures on electrical and mechanical parts such as valves, electric and electronic controlling devices,
 - water condensation and frost/ice near the device,
 - thermal shock of the heater and heat exchanger caused by sudden changes of the outside temperature.

§3. SONNIGER Poland is not liable to:

1. Current maintenance works, and inspections follow from Operation and Maintenance Documentation and device programming.
2. Defects caused by banking of a device while waiting for the warranty service.
3. Any defects caused to the company's property.

§4. Complaint Procedure

1. In the event of a complaint under the Warranty conditions, the user may complain directly to the Distributor.
2. All repairs covered by the warranty shall be done as part of the activity of an installation company and Factory Service. All repairs ensuing from the guarantee shall be done in a place where the device is installed.
3. Any services under the Warranty are to be carried out within 14 days from the date of request. In exceptional cases, the deadline may be extended, especially if the warranty service requires ordering parts or components from subcontractors.
4. The user concerning the service activities is obliged to:
 - Allow having full access to the rooms where the devices were installed and provide the necessary facilities allowing direct access to the device (lift, scaffolding, etc.) to do all the servicing covered by the guarantee.
 - Present the original of the Guarantee Card and VAT invoice recording the purchase,

Operation and Maintenance Documentation GUARD ONE v202306

- Ensure safety while doing the servicing,
 - Allow starting works immediately after the arrival of the Service.
5. In order to make a complaint under the warranty it is necessary to deliver to the Distributor's address the following documents:
 - a) correctly filled-in complaint form that is available at the website of www.sonniger.com
 - b) copy of the Guarantee Card
 - c) copy of the proof-of-purchase - the sales invoice
 6. The repair service including the replacement of the parts shall be done free of charge only if the representative of the installing contractor or the Service claims that the defect or malfunctioning of the device is caused by the fault of the producer.
 7. Any costs (cost of repair, travel, and exchanged components) incurred due to the unjustified complaint, especially in the situation when the representative of the Installing Contractor of the Factory Repair Service claims that defect/damage was caused as a result of breaching the guidelines provided in the Operation and Maintenance Documentation or notices the exclusions under §2 (Warranty exclusions) will be requested from the Buyer/Customer who reported the failure.
 8. The Claimant is obliged to give a written confirmation of the service provided.
 9. Sonniger Poland is entitled to refuse the warranty service if Sonniger Poland has not received full payment for the product complained about under the Guarantee or any previous servicing activities.

GUARANTEE CARD

INVESTEMENT:

Device model:.....

Serial number:.....

Date of purchase:.....

Start date:

Details of installation company:

Person activating the device:.....

Name of company:.....

.....

Address:.....

Telephone:.....

Signature of a person who has started the device:.....

Installation works, check-ups/inspections, repairs:

Date	The scope of installation works, inspections, repairs	Signature and installation company stamp

GUARD ONE

EN

Operation and Maintenance Documentation GUARD ONE

PL

Dokumentacja techniczno-ruchowa GUARD ONE



SONNIGER S.A.

ul. Podolska 21, 81-321 Gdynia, Poland, infolinia 801 055 155, tel. + 48 58 785 34 80, www.sonniger.com
Sąd Rejonowy Gdańsk-Północ, VIII Wydział Gospodarczy Krajowego Rejestru Sądowego, KRS 0000966611, NIP 586 227 35 14
Regon 22154369 kapitał zakładowy: 1.655.000 PLN

8. PRZEZNACZENIE

Kurtyna GUARD ONE to kompaktowe i nowoczesne urządzenie mające zapewnić ochronę w okresie zimowym przed utratą ciepła w pomieszczeniach, poprzez odpowiednie ukierunkowanie ciepłego strumienia powietrza, zapobiegając przenikaniu do pomieszczenia chłodnego powietrza z zewnątrz. W okresie letnim mogą być używane jako kurtyny chłodzące – bez podgrzewania, zapobiegając przedostawaniu się do wnętrza pomieszczenia nagrzanego powietrza z zewnątrz oraz zanieczyszczeń. GUARD ONE jest produktem plug&play, urządzenie posiada wbudowane sterowanie oraz czujnik ruchu. Kurtyna wyposażona jest w silnik trójbiegowy, pełny zakres prędkości dostępny jest jedynie z wykorzystaniem dodatkowego sterowania.

9. PODSTAWOWE PARAMETRY TECHNICZNE

PARAMETRY TECHNICZNE	GUARD ONE 100E		GUARD ONE 100C
długość kurtyny	m	1,1	
maksymalna wysokość drzwi	m	2,5	2,9
Wydatek powietrza bieg I/II/III*	m ³ /h	1050/1400/1950	1200/1600/2100
zakres mocy grzewczej	kW	3 kW	-
silnik napięcie zasilania, pobór prądu	V/Hz A	230/50 0,7A	
moc silnika elektrycznego	W	100	
nagrzewnica elektryczna napięcie zasilania, pobór prądu	V/Hz A	230/50	-
masa urządzenia	kg	12,9	11,7
poziom głośności bieg I/II/III	dB (A)	42 / 46 / 56	43 / 48 / 56
klasa ochrony IP		IP20	

*bieg II dostępny jedynie ze sterownikiem COMFORTEM NEW

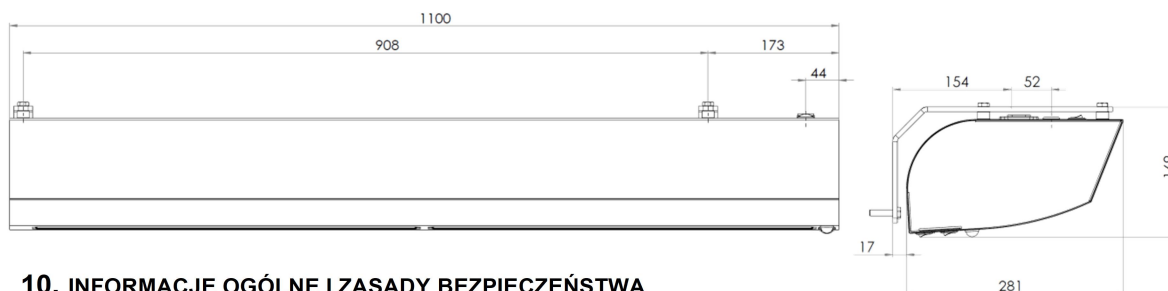
Poziom głośności zmierzony w odległości 3 m w obiekcie półotwartym

Badania wykonano zgodnie z normami ISO 27327-1 oraz ISO 27327-2

Zasięg kurtyny może być mniejszy przy znacznych różnicach ciśnień występujących na obiekcie

Kolor obudowy: front RAL9003, boki RAL9005

BUDOWA I WYMIARY KURTYNY GUARD ONE



10. INFORMACJE OGÓLNE I ZASADY BEZPIECZEŃSTWA

Kurtyny powietrzne GUARD ONE są produkowane zgodnie ze standardami i normami dotyczącymi jakości, ekologii oraz użyteczności i komfortu działania. Kurtyny powietrzne GUARD ONE dostarczane są w stanie całkowicie zmontowanym w kartonowym opakowaniu, które zabezpiecza przed uszkodzeniami mechanicznymi. Opakowanie zawiera: urządzenie z przewodem zasilającym, uchwyty montażowe, Instrukcję Obsługi (DTR) wraz z Gwarancją. Zamówiona opcjonalnie Automatyka dostarczana jest w oddzielnym opakowaniu. Należy sprawdzić zawartość opakowania bezpośrednio po dostawie. W przypadku stwierdzenia jakichkolwiek braków należy wypełnić odpowiedni protokół przewoźnika

WAŻNE!

- ❶ Przed przystąpieniem do montażu należy zapoznać się dokładnie z instrukcją obsługi i przestrzegać wszystkich warunków montażu urządzenia. Nie przestrzeganie ich może spowodować niewłaściwą pracę urządzenia oraz utratę gwarancji.
- ❶ Należy zachować szczególną ostrożność przy obchodzeniu się z elementami elektrycznymi urządzenia.
- ❶ Wszystkie prace instalacyjne powinny być wykonane przez osoby o odpowiednich kwalifikacjach i uprawnieniach.

11. MONTAŻ

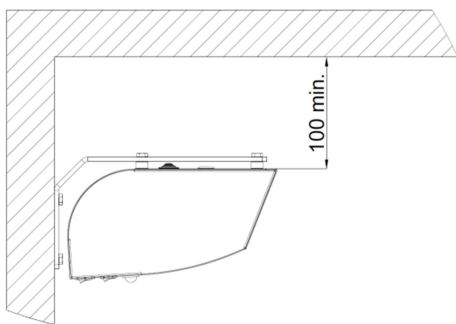
Ustalając położenie kurtyny powietrznej należy brać pod uwagę:

- 🔴 łatwość dostępu dla serwisowania,
- 🔴 dostęp do instalacji elektrycznej

Zaleca się montaż kurtyny powietrznej w pozycji nad otworem wejściowym, na ścianie lub pod stropem na szpilkach nośnych lub wspornikach do montażu poziomego.

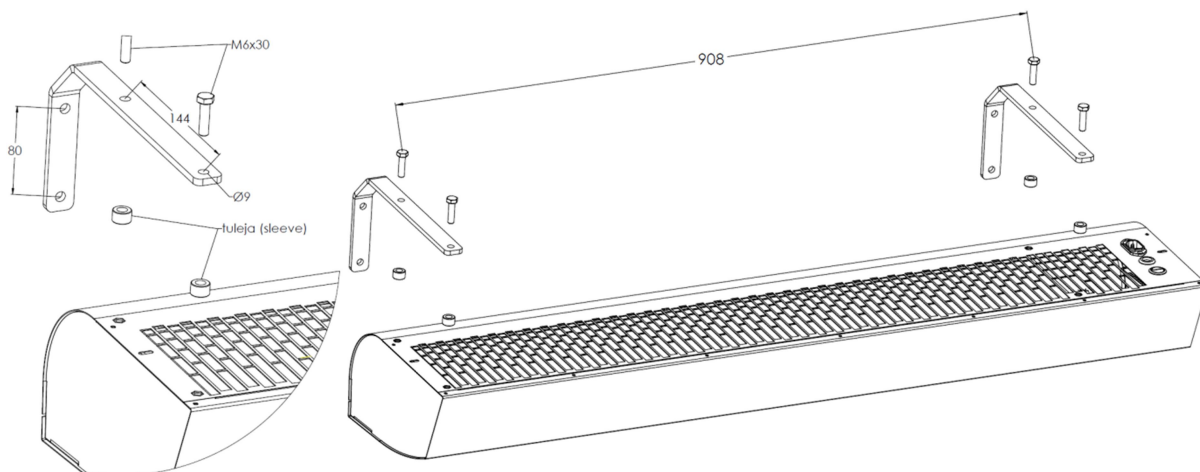
Należy zwrócić szczególną uwagę, aby podczas montażu urządzenie zostało właściwie wypoziomowane w przypadku innej pozycji niż pozycja pozioma możliwe jest uszkodzenie wentylatora, a przez to wadliwe działanie urządzenia.

Wlotu i wylotu nie mogą blokować żadne przedmioty. Przy montażu kurtyn należy pamiętać o pozostawieniu swobodnego dostępu do panelu sterowania. W przypadku większych otworów drzwiowych dopuszcza się możliwość montażu większej ilości kurtyn tego samego modelu, jedna przy drugiej, tworząc nieprzerwany strumień powietrza.



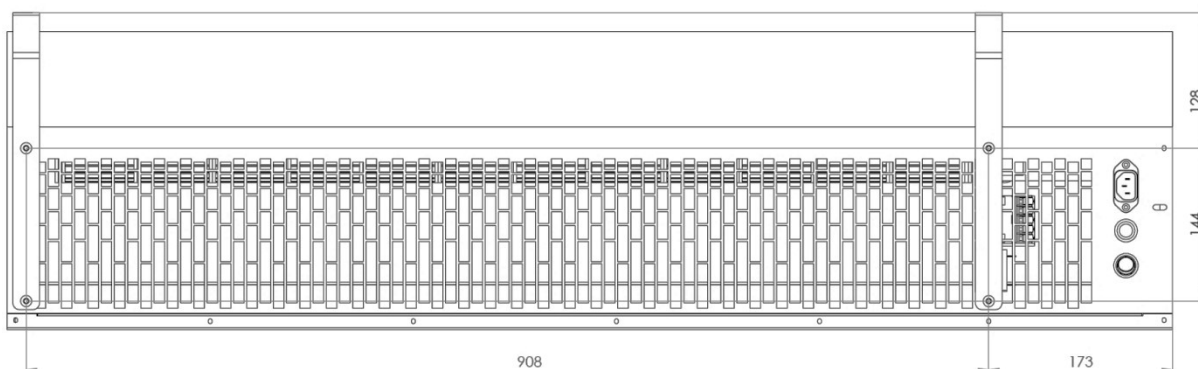
Montaż do ściany za pomocą uchwyty poziomego

Kurtyna może być zamontowana do ściany w pozycji poziomej z wykorzystaniem 2 uchwyty montażowych do układu poziomego. W uchwytach są otwory $\varnothing 9\text{mm}$ dla śrub M6. Śruby wkręcić w nitonakrętki umieszczone pod stalową kratką wlotową w taki sposób aby oba uchwyty były w jednej płaszczyźnie. Podczas montażu należy wykorzystać tuleje dystansowe, które dołączone są do zestawu.



Montaż poziomy pod sufitem za pomocą szpilek montażowych

Montaż pod sufitem odbywa się za pomocą 4 szpilek M6. Szpilki należy wkręcić w nitonakrętki na głębokości 10-14mm. Poniższy rysunek przedstawia pozycję otworów montażowych pod szpilki



WAŻNE!

- ❗ Należy zwrócić szczególną uwagę, aby podczas montażu urządzenie zostało właściwie wypoziomowane. W przypadku innej pozycji niż pozycja pozioma lub pionowa możliwe jest uszkodzenie wentylatora, a przez to wadliwe działanie kurtyny

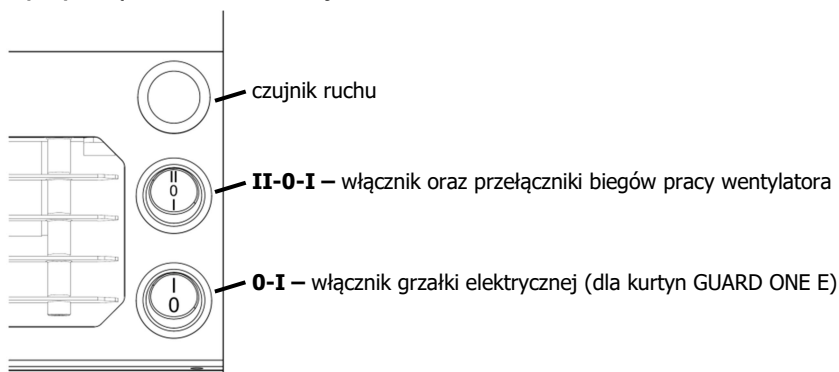
12. AUTOMATYKA STERUJĄCA

Kurtyna GUARD ONE wyposażona jest w wbudowany trzypozycyjny przełącznik sterowania, czujnik ruchu oraz przewód zasilający o długości 1m z wtyczką. Dodatkowo istnieje możliwość podłączenia zewnętrznego termostatu i/lub czujnika magnetycznego. Dodatkowe akcesoria nie stanowią elementu zestawu. Funkcjonalność Automatyki przedstawiono w poniższej tabeli:

	Sterowanie wbudowane	Sterowanie dodatkowe
On/off	✓	✓
COMFORT NEW	-	✓
Obsługa biegów	I / III	I / II / III
Tryby pracy	HEAT / FAN	HEAT / FAN / COOL
Czujka ruchu	✓	✓
Wyłącznik magnetyczny	-	✓
Termostat	-	✓

12.1. STEROWANIE WBUDOWANE

Opis przełączników wbudowanych



12.2. PANEL COMFORT NEW



Opis przełączników panelu sterującego COMFORT NEW

OFF-I-II-III – włącznik oraz przełączniki biegów pracy wentylatora

HEAT – termostat podaje sygnał pracy dla siłownika i wentylatora, wentylator wyłącza się w momencie uzyskania zadanej temperatury, zawór zamyka przepływ wody

FAN – praca wentylatora urządzenia od termostatu, zawory nie pracują

COOL – termostat podaje sygnał dla siłownika i wentylatora, urządzenie uruchamia się powyżej zadanej temperatury

Istnieje możliwość zastosowania dodatkowej zmiany położenia zwory SR1 na SR1 CONST, w tym przypadku możliwa jest praca wentylatora niezależnie od termostatu. Praca termostatyczna jest tylko dla zaworów. W takim przypadku:

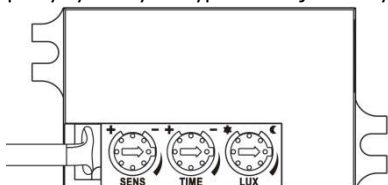
HEAT – praca wentylatora niezależnie od termostatu, grzałki pracują do zadanej temperatury

FAN – praca wentylatora urządzenia niezależnie od termostatu, grzałki nie pracują

COOL – praca wentylatora niezależnie od termostatu, grzałki pracują powyżej zadanej temperatury

12.3. CZUJNIK RUCHU

Zabudowany czujnik ruchu, jest wbudowanym elementem kurtyny. Czujnik po wykryciu ruchu uruchamia urządzenie, dzięki czemu kurtyna nie wymaga każdorazowego włączania i wyłączania. Parametry pracy czujnika można wyregulować po zdjęciu pokrywy. Kurtyna wyposażona jest w wyłącznik pozwalający uniezależnić pracę urządzenia od czujnika ruchu.



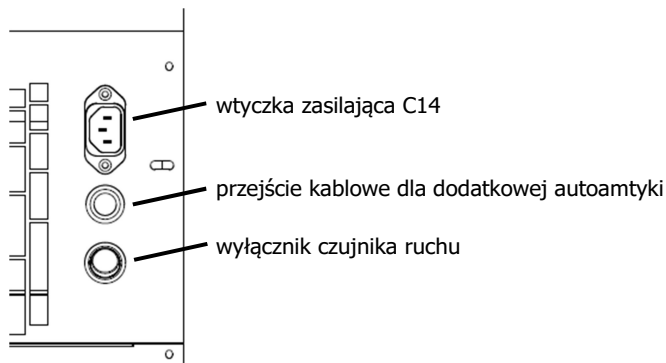
SENS – regulator czułość czujnika

TIME – opóźnienie wyłączenia do 10 s do 7 min

LUX – czułość na światło

12.3.1. WYŁĄCZENIE CZUJNIKA RUCHU

Kurtyna wyposażona jest w wyłącznik pozwalający uniezależnić pracę urządzenia od czujnika ruchu. Przełącznik znajduje się na górze urządzenia, obok wtyczki zasilającej. W pozycji włączonej kurtyna pracuje z pominięciem czujnika ruchu lub wyłącznika drzwiowego.



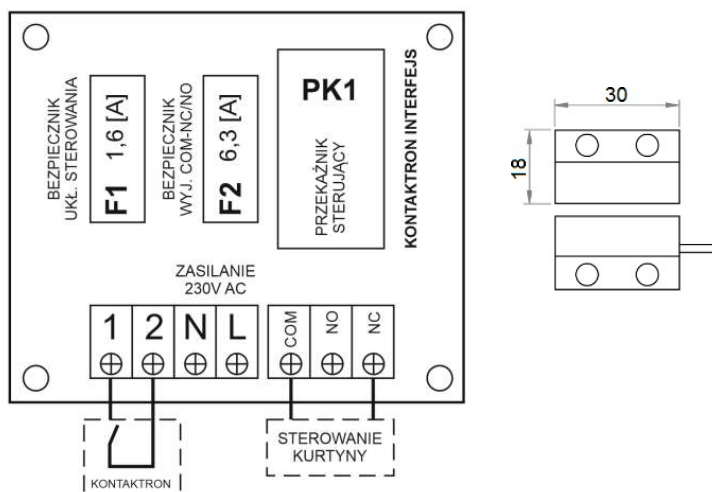
12.4. WŁĄCZNIK DRZWIOWY GUARD

Włącznik drzwiowy **GUARD (DC)** jest dodatkowym elementem służącym do włączania/wyłączania pracy kurtyny w zależności od otwarcia drzwi wejściowych. Przeznaczony jest do montażu wewnątrz pomieszczeń. W jego skład wchodzi:

- ▮ szafka przekaźnikowa – **kontaktron interfejs**
- ▮ **kontaktron** do montażu w otworze drzwiowym - łącznik elektroniczny hermetyczny sterowany polem magnetycznym, składa się z elementu ruchomego i stałego

Kurtyna wyposażona jest w wyłącznik pozwalający uniezależnić pracę urządzenia od czujnika ruchu.

Schemat szafki przekaźnikowej – kontaktron interfejs



13. SCHEMATY PODŁĄCZEŃ ELEKTRYCZNYCH

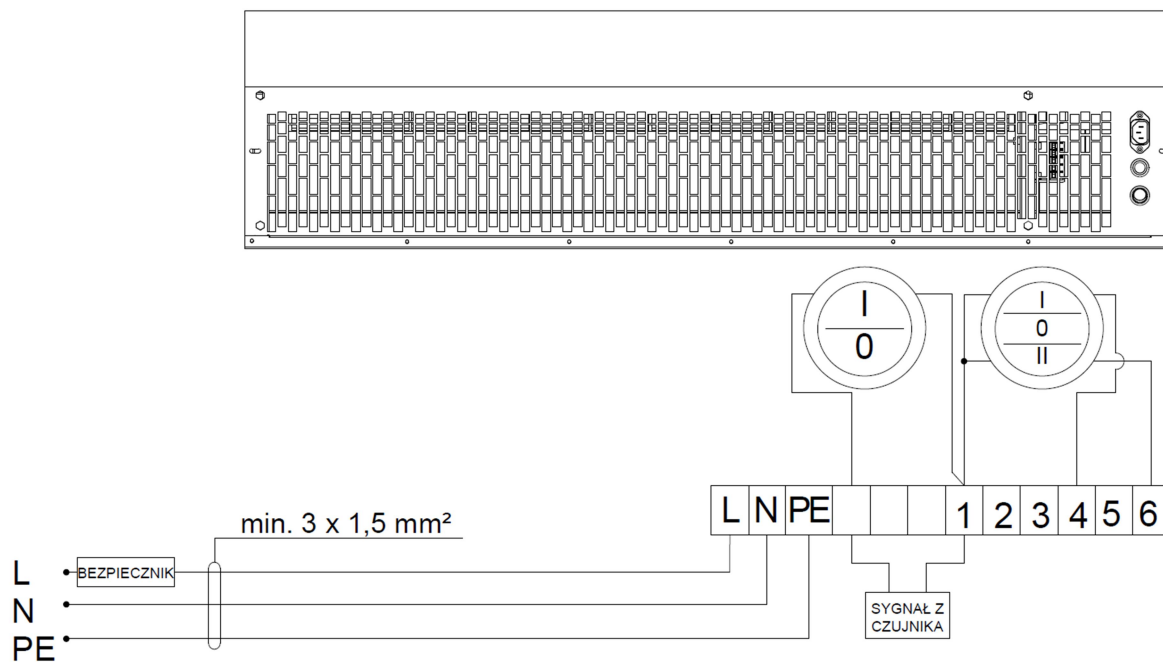
Sieć elektryczna, do której będzie podłączona kurtyna powinna zapewniać ochronę urządzenia przed przegrzaniem i zwarciami. Konieczne jest zabezpieczenie kurtyny powietrznej poprzez uziemienie. Wykonanie instalacji elektrycznej i podłączenie zasilania do kurtyny powietrznej musi być zgodne z obowiązującymi przepisami i normami budowlanymi, podłączenie instalacji elektrycznej powinna wykonywać osoba o odpowiednich uprawnieniach, zaznajomiona z powyższą instrukcją. Silnik wentylatora posiada standardowo wewnętrzne zabezpieczenia termiczne, ochraniające silnik przed przegrzaniem.

Kurtyna GUARD ONE wyposażona jest w przewód o długości 1m z wtyczką C14, a także wbudowany przłącznik sterowania. W przypadku wpięcia dodatkowej autoamtyki lub innego przewodu zasilającego, kable należy przeprowadzić przez przygotowane przepusty.

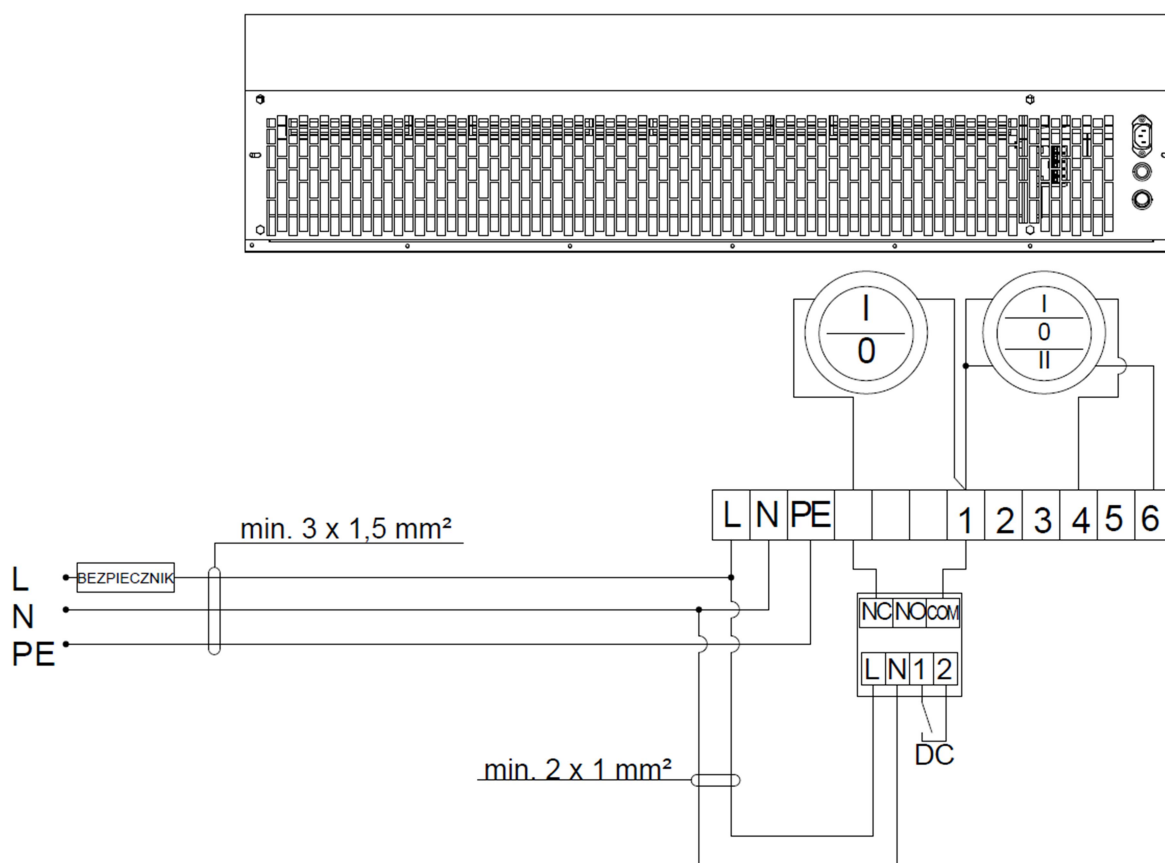
WAŻNE!

- ❶ Wszelkie prace naprawcze i konserwacyjne należy wykonywać przy wyłączonym napięciu.
- ❶ Należy zachować szczególną ostrożność przy obchodzeniu się z elementami elektrycznymi urządzenia.
- ❶ Wszystkie prace instalacyjne powinny być wykonane przez osoby o odpowiednich kwalifikacjach i uprawnieniach.

13.1. Schemat podłączenia GUARD ONE 100C ze sterowaniem podstawowym



13.2. Podłączenie czujnika magnetycznego bez panelu COMFORT NEW



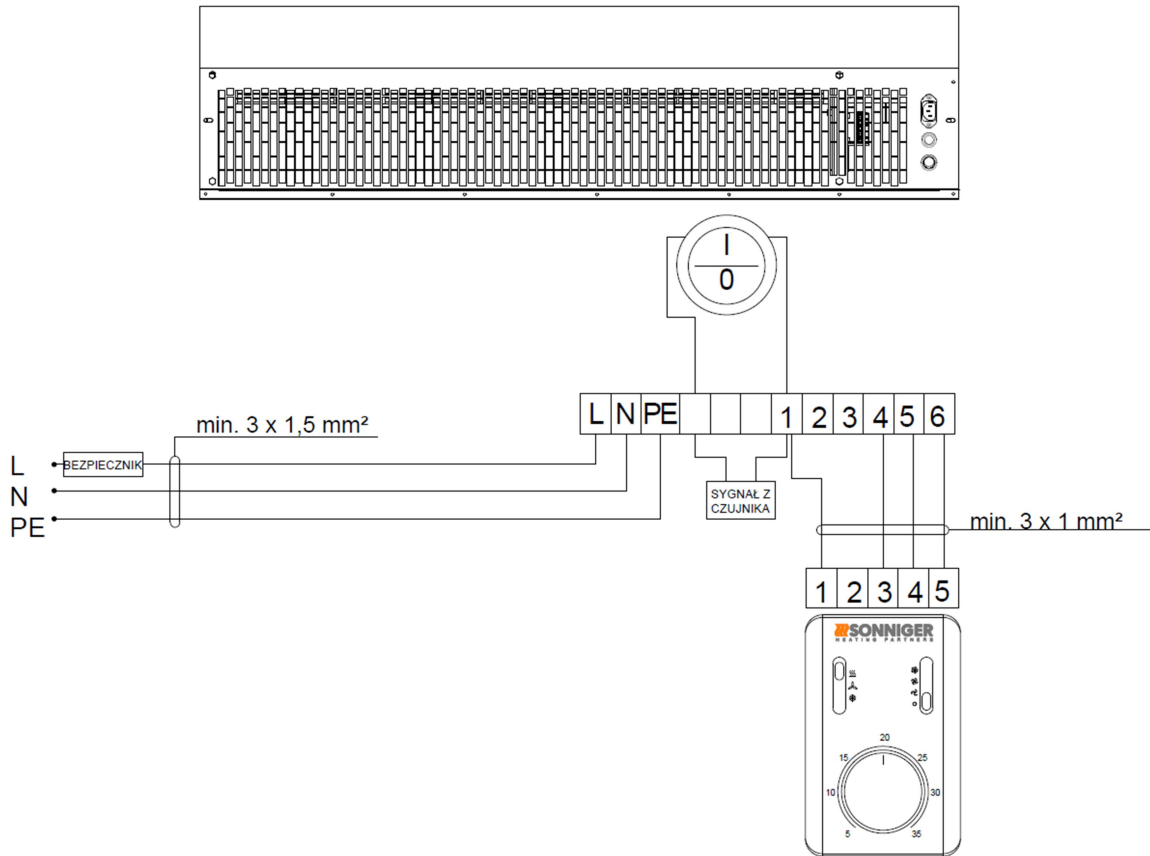
W przypadku podłączenia czujnika magnetycznego, konieczne jest wypięcie przewodów wbudowanego czujnika ruchu.

13.3. Schemat podłączenia jednej kurtyny GUARD ONE 100C panelu COMFORT NEW

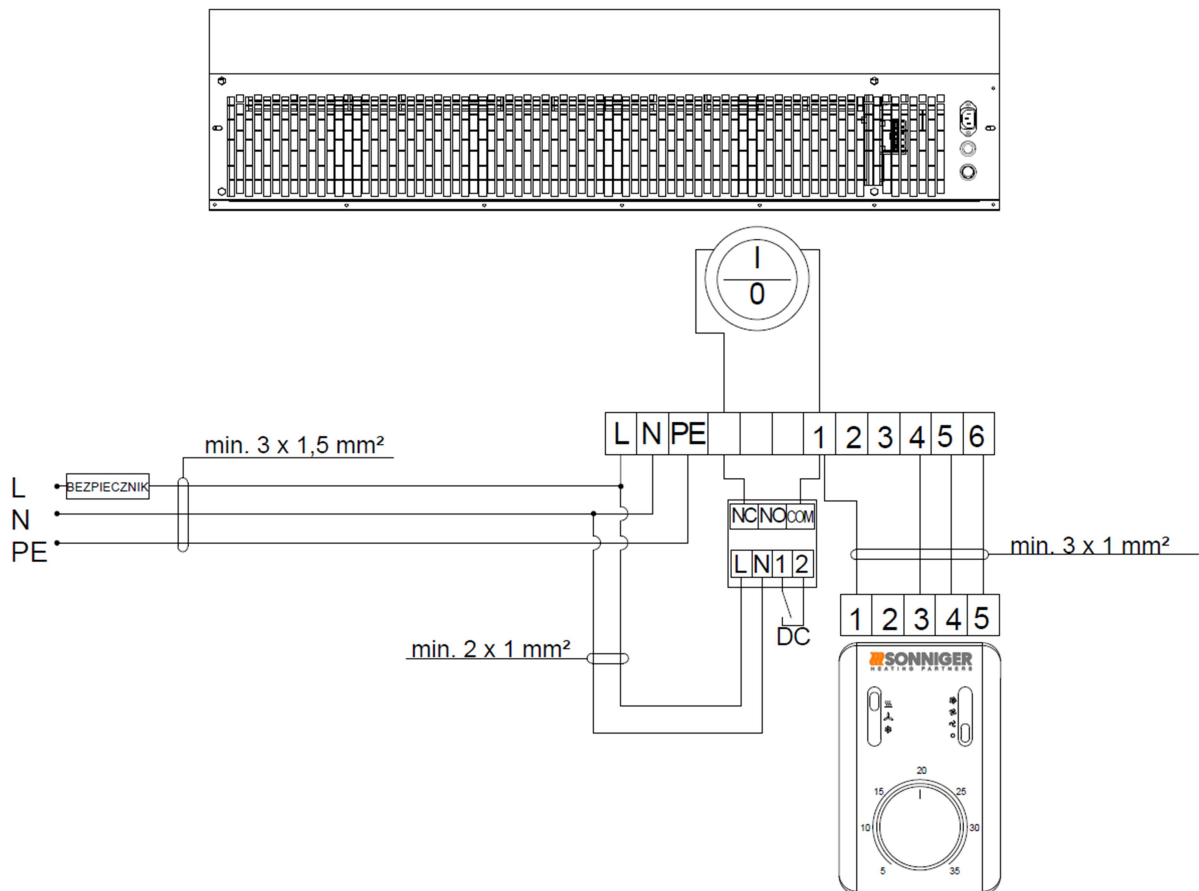
WAŻNE!

- ❶ W przypadku podłączenia zewnętrznego termostatu, konieczne jest wypięcie i zabezpieczenie przewodów przełącznika trójpozycyjnego
- ❶ W przypadku podłączenia czujnika magnetycznego, konieczne jest wypięcie i zabezpieczenie przewodów wbudowanego czujnika ruchu.

13.3.1. Z czujnikiem ruchu



13.3.2. Z czujnikiem magnetycznym

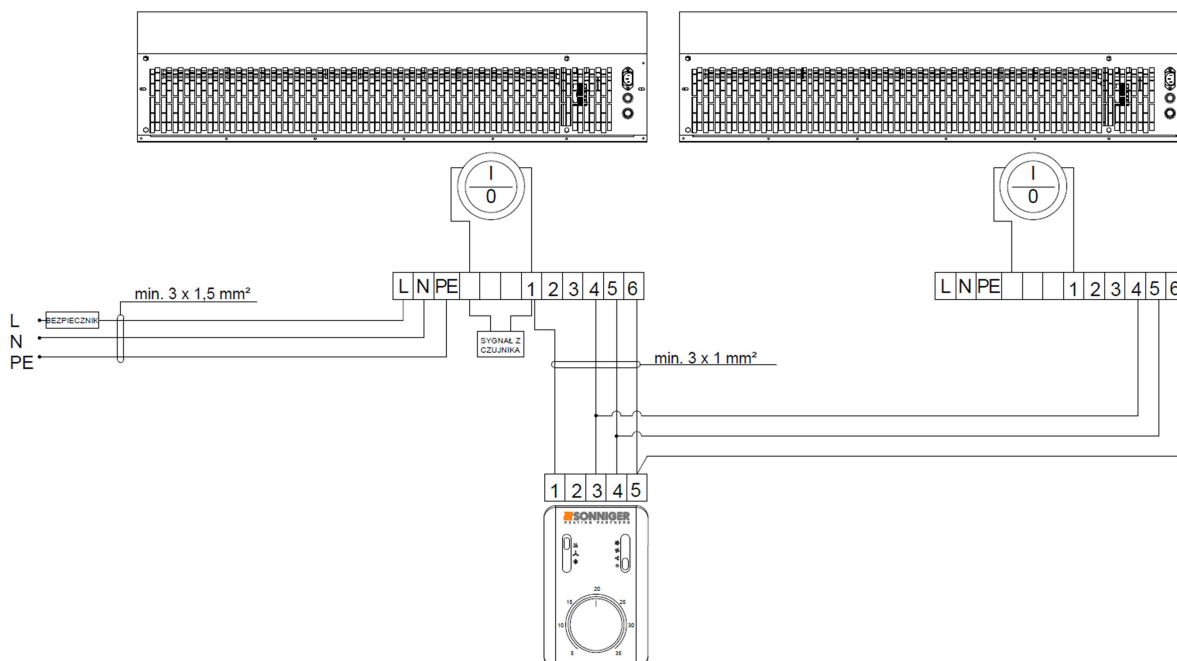


W przypadku podłączenia czujnika magnetycznego, konieczne jest wypięcie przewodów wbudowanego czujnika ruchu.

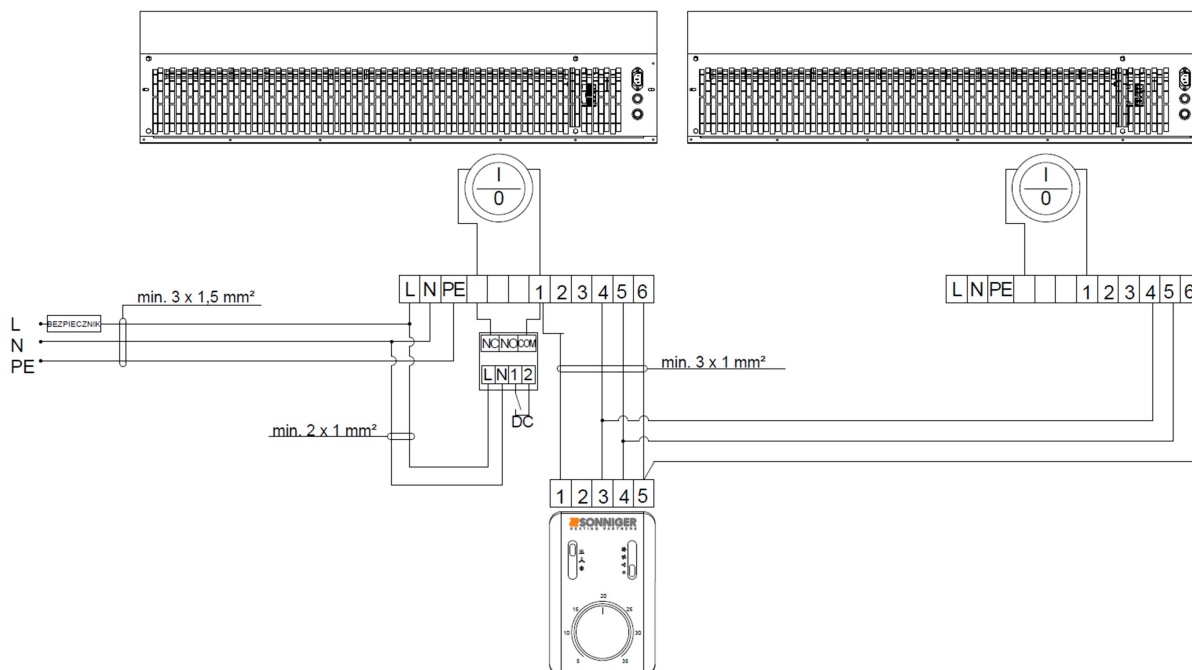
13.4. Schemat podłączenia do 5 kurtyn GUARD ONE C ze sterownikiem COMFORT NEW

Kurtyny GUARD ONE C mogą być łączone tylko z wykorzystaniem panelu COMFOR NEW, dopuszcza się połączenie maksymalnie 5 jednostek. W przypadku podłączenia większej ilości kurtyn, urządzenia sterowane są czujnikiem podłączonym do kurtyny numer jeden. Funkcja dostępna tylko dla kurtyn bez grzałki elektrycznej.

13.4.1. Z czujnikiem ruchu



13.4.2. Z czujnikiem magnetycznym



W przypadku podłączenia czujnika magnetycznego, konieczne jest wypięcie przewodów wbudowanego czujnika ruchu.

14. EKSPLOATACJA URZĄDZENIA I KONSERWACJA

Zespół silnika wraz z wentylatorem zastosowany w kurtynach powietrznych GUARD ONE jest urządzeniem bezobsługowym, należy jednak okresowo sprawdzić stan silnika w tym stan łożysk (wirnik wentylatora powinien swobodnie obracać się wokół swojej osi, bez jakichkolwiek bić osiowych i promieniowych oraz bez żadnych stuków).

Grzałka elektryczna wymaga regularnego czyszczenia z wszelkich zanieczyszczeń. Jeżeli urządzenie nie jest używane przed długi okres czasu, odłącz od źródła prądu przed kolejnym użyciem.

Wymiennik ciepła posiada zabezpieczenie przeciwko przegrzaniu się nagrzewnicy. W przypadku zadziałania termostatu zabezpieczającego konieczne jest jego ponowne zazbrojenie, należy także sprawdzić poprawność pracy silnika.

Dokumentacja techniczno-ruchowa kurtyna standardowa GUARD ONE v202306

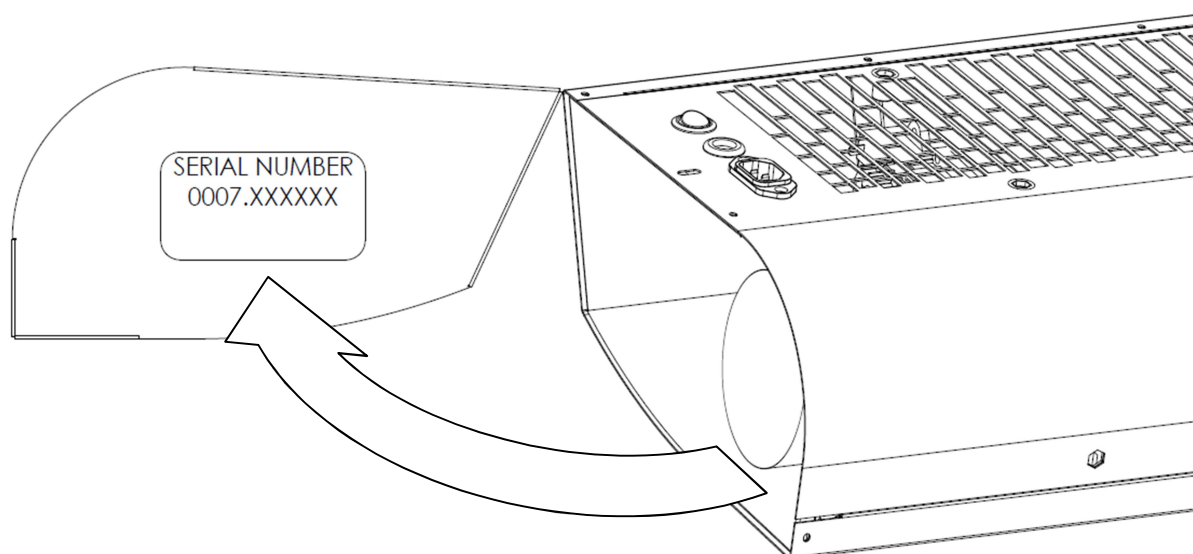
Kurtyny z nagrzewnicami elektrycznymi wyposażone są w styczniki odpowiadające za przewodzenie prądu do grzałek podczas pracy kurtyny. Ze względu na charakter pracy elementu może dojść do poluzowania się przewodów w zaciskach, konieczne jest regularne sprawdzanie połączeń elektrycznych, nie rzadziej niż co 12 miesięcy.

WAŻNE !

- ❶ Wszelkie prace naprawcze i konserwacyjne należy wykonywać przy wyłączonym napięciu,
- ❶ Przy montażu, uruchomieniu i eksploatacji urządzenia musi być zatrudniony personel z odpowiednimi kwalifikacjami, ze znajomością przepisów bezpieczeństwa pracy z urządzeniem elektrycznym
- ❶ Jeżeli podczas pracy będą następowały metaliczne stuki, wystąpią drgania lub wzrośnie poziom dźwięku emitowanego przez urządzenie, należy sprawdzić czy mocowanie wentylatora nie uległo obluzowaniu – w przypadku problemów należy skontaktować się z instalatorem urządzenia lub bezpośrednio z Autoryzowanym Serwisem SONNIGER

NUMER SERYJNY

Numer seryjny urządzenia znajduje się na wewnętrznej stronie obudowy, zakrywającej listwę podłączeniową.



ZGODNOŚĆ Z DYREKTYWĄ WEEE 2012/19/UE

Zgodnie z obowiązującymi przepisami prawnymi (ustawa z 29 lipca 2005 roku o zużyтым sprzęcie elektrycznym i elektronicznym Dz. U. 2005 Nr 180, poz. 1495 z późniejszymi zmianami oraz Ustawa z 21 listopada 2008 roku o zmianie ustawy o zużyтым sprzęcie oraz o zmianie niektórych innych ustaw Dz. U. 2008 Nr 223, poz. 1464) w momencie zakupu nowego sprzętu elektrycznego lub elektronicznego z umieszczonym znakiem:



Uwaga! PAMIĘTAJ OBOWIĄZUJE ZAKAZ UMIESZCZANIA ZUŻYTEGO SPRZĘTU ŁĄCZNIE Z INNYMI ODPADAMI (art. 22 ust. 1 Dz. U. 2005 Nr 180, poz. 1495)

Aby uzyskać informacje na temat systemu zbierania zużytego sprzętu elektrycznego i sprzętu elektronicznego prosimy o kontakt z dystrybutorem.



WARUNKI GWARANCJI UDZIELONEJ NA URZĄDZENIA

§ 1 Warunki gwarancji urządzeń serii GUARD, GUARD ONE, GUARD PRO, HEATER CONDENS

1. Klient ma prawo w ramach gwarancji do wymiany urządzenia lub jego elementu na nowy produkt, wolny od wad, tylko wtedy gdy w okresie gwarancji producent stwierdzi, iż usunięcie wady nie jest możliwe.
2. Dowód zakupu wraz z prawidłowo wypełnioną kartą gwarancyjną stanowi dla użytkownika podstawę do wystąpienia o bezpłatne wykonanie naprawy.
3. Niniejsza gwarancja obejmuje wady materiałowe urządzenia uniemożliwiające jego użytkowanie zgodnie z przeznaczeniem. Gwarancja nie obejmuje prac instalacyjnych oraz eksploatacyjnych.
4. Okres gwarancji wynosi 24 miesiące od daty dostarczenia urządzenia Nabywcy, która widnieje na fakturze sprzedaży i obejmuje wszystkie części/komponenty wchodzące w zakres dostawy.
5. W celu wykonania naprawy gwarancyjnej użytkownik jest zobowiązany do dostarczenia reklamowanego urządzenia do Serwisu Producenta.
6. Decyzją SONNIGER Polska, na czas rozpatrywania gwarancji, Producent może dostarczyć urządzenie zastępcze. Na dostarczone urządzenie zastępcze wystawiana jest faktura, która zostanie skorygowana w przypadku pozytywnego rozpatrzenia reklamacji.
7. W przypadku stwierdzenia powstania usterki w wyniku niezgodnego z dokumentacją techniczno-ruchową montażu, uruchomienia oraz eksploatacji urządzenia, gwarancja nie zostanie uznana.
8. Urządzenia mogą być uruchamiane i serwisowane wyłącznie przez osoby przeszkolone w zakresie obsługi i eksploatacji urządzeń, posiadające odpowiednie uprawnienia. Wszelkie czynności związane z uruchomieniem, pracami serwisowymi i naprawczymi należy bezwzględnie odnotować w niniejszej Karcie Gwarancyjnej.
9. Warunkiem udzielenia gwarancji jest montaż i uruchomienie urządzenia zgodnie z dokumentacją techniczno-ruchową, wykonane nie później niż 6 miesięcy od daty zakupu.
10. Warunkiem utrzymania gwarancji przez pełny okres gwarancyjny jest wykonywanie czynności serwisowych wskazanych w DTR dla danego urządzenia w dziale „Konserwacja”. Usługi serwisowe z wiązane z konserwacją urządzeń dokonywane są na zlecenie i koszt Użytkownika.
11. Świadczenie usługi gwarancyjnej nie przerywa ani nie zawiesza okresu gwarancji. Gwarancja na wymienione lub naprawione elementy urządzenia kończy się z upływem terminu gwarancji na urządzenie.

§ 2 Wyłączenia gwarancji

1. Gwarancją nie są objęte uszkodzenia mechaniczne oraz uszkodzenia części elektrycznych wynikające z nieodpowiedniego użytkowania, transportu, skoków napięcia lub innych przyczyn nie wynikających z wad produktu. W związku z powyższym, gwarancja obejmuje jedynie wymianę części/komponentów zawierających wadę konstrukcyjną, które zostaną dostarczone bez dodatkowych kosztów tylko wtedy gdy wadliwa część zostanie zwrócona.
2. Gwarancja na urządzenia nie obejmuje przypadku błędów technicznych zaistniałych podczas procedur związanych z instalacją, regulacją oraz sterowaniem w szczególności takich jak:
 - a. Wady wynikłe na skutek podłączenia urządzenia do nieodpowiednio zaprojektowanych systemów wentylacyjnych, które dopuszczają dodatkowe obciążenia cieplne, odbiegające od normy, oraz pogarszają sprawność wymiennika ciepła
 - b. Wady powstałe w wyniku podłączenia do komponentów lub części, które są częścią systemu grzewczego, ale nie zostały dostarczone przez Sprzedającego, a których nieprawidłowe działanie/funkcjonowanie ma negatywny wpływ na pracę urządzenia.
 - c. Wady powstałe w wyniku podłączenia do komponentów nie będących oryginalnymi częściami zapasowymi
 - d. Wady powstałe w przypadku odsprzedaży produktu przez pierwszego nabywcę/użytkownika kolejnemu kupującemu, który zdemontuje/zainstaluje urządzenie, które było uprzednio zainstalowane i pracowało w określonym obiekcie i warunkach.
 - e. Wady będące skutkiem nieodpowiedniej ekspertyzy i niewiedzy instalatora oraz pracowników technicznych, którzy w nieodpowiedni sposób wykonują dalszy, posprzedażowy serwis urządzenia
 - f. Wady wynikające ze szczególnych warunków użytkowania, odbiegających od standardowych aplikacji o ile strony (Sprzedający i personel techniczny klienta) uprzednio uzgodniły je na piśmie.
 - g. Wady powstałe w wyniku klęsk żywiołowych jak pożar, eksplozje oraz incydenty, które mogą spowodować uszkodzenie urządzeń mechanicznych, elektrycznych i zabezpieczających produktu.
 - h. Wady wynikające z niewłaściwego czyszczenia pomieszczenia technicznego lub miejsca, w którym urządzenie jest zainstalowane, czyszczenie musi odbywać się okresowo, stosownie do warunków pracy i gromadzenia się kurzu.
 - i. Wady wynikająca z braku lub nieodpowiedniego czyszczenia wymienników ciepła urządzenia, czyszczenie musi odbywać się okresowo, stosownie do warunków pracy i gromadzenia się kurzu.
 - j. Wady powstałe w wyniku nieodpowiedniej instalacji niedostosowanej do niskiej zewnętrznej temperatury otoczenia warunków pracy
 - k. Wady powstała w wyniku warunków niskiej temperatury w sytuacji gdy firma instalacyjna nie montuje urządzeń zabezpieczających dla danego urządzenia w celu:
 - uniknięcia niskich temperatur na komponentach elektrycznych i mechanicznych takich jak zawory, elektryczne/elektroniczne urządzenia sterowania
 - uniknięcia kondensacji wody oraz tworzenia szronu/łodu w pobliżu urządzenia
 - uniknięcia szoku termicznego nagrzewnicy i wymiennika ciepła powstałego na skutek nagłych zmian temperatury zewnętrznej

§3 SONNIGER Polska nie ponosi odpowiedzialności za:

1. Bieżące prace konserwacyjne, przeglądy serwisowe wynikające z DTR oraz programowanie urządzeń.
2. Szkody spowodowane postojami urządzeń w okresie oczekiwania na usługę gwarancyjną.
3. Wszelkie szkody w innym niż urządzenia majątku Klienta.

§ 4 Procedura reklamacyjna

1. Reklamacje objęte niniejszymi Warunkami Gwarancji użytkownik zgłasza bezpośrednio do Producenta.
2. Świadczenia wynikające z niniejszej gwarancji zostaną zrealizowane w ciągu 14 dni roboczych od daty zgłoszenia. W wyjątkowych wypadkach termin ten może być wydłużony, w szczególności, gdy wada nie ma charakteru trwałego i jej ustalenie wymaga dłuższej diagnozy lub gdy świadczenie gwarancyjne wymaga sprowadzenia części lub podzespołów od poddostawcy
3. Użytkownik w ramach działań serwisowych zobowiązuje się :
 - umożliwić pełny dostęp do pomieszczeń w których zamontowano urządzenia wraz z zapewnieniem niezbędnej infrastruktury umożliwiającej bezpośredni dostęp do samego urządzenia (podnośnik, rusztowanie itp.) w celu przeprowadzenia prac serwisowych objętych niniejszą gwarancją.
 - okazania oryginału Karty gwarancyjnej oraz faktury VAT dokumentującej nabycie urządzenia,
 - zapewnienia bezpieczeństwa prac podczas wykonywania usługi,
 - zapewnienia możliwości rozpoczęcia prac bezpośrednio po przybyciu serwisu wykonującego usługę.
4. W celu zgłoszenia usterki objętej niniejszą gwarancją niezbędne jest przesłanie na adres Producenta następujących dokumentów:
 - a. Prawidłowo wypełnionego formularza zgłoszenia reklamacyjnego dostępnego na stronie sonniger.com/zgloszenie-serwisowe
 - b. Kopii wypełnionej Karty Gwarancyjnej.
 - c. Kopii protokołu pierwszego uruchomienia, przeglądu gwarancyjnego
 - d. Kopii faktury zakupu
5. Naprawa wraz z wymianą części zostanie wykonana bezpłatnie w przypadku, gdy przedstawiciel Autoryzowanego Serwisu SONNIGER stwierdzi, że uszkodzenie lub wadliwe działanie urządzenia powstało z winy urządzenia/producenta.
6. Wszelkie koszty (naprawa, dojazd, koszt części zamiennych) wynikłe z nieuzasadnionej reklamacji - w przypadku, gdy przedstawiciel Autoryzowanego Serwisu SONNIGER stwierdzi, że uszkodzenie powstało w wyniku nieprzestrzegania wytycznych przedstawionych w dokumentacji techniczno-ruchowej lub stwierdzi zaistnienie faktów przedstawionych w § 2 (Wyłączenia gwarancji) - zostaną pokryte przez Klienta dokonującego zgłoszenia awarii.
7. Zgłaszający reklamację zobowiązany jest do pisemnego potwierdzenia wykonania usługi serwisowej.
8. SONNIGER ma prawo odmówić wykonania świadczenia gwarancyjnego w przypadku, gdy SONNIGER Polska nie otrzymał w całości zapłaty za reklamowane urządzenie lub wcześniejszą usługę serwisową

KARTA GWARANCYJNA

Inwestycja:.....

Model urządzenia:.....

Numer fabryczny:.....

Data zakupu:.....

Data uruchomienia:.....

Dane firmy instalacyjnej:

Osoba uruchamiająca urządzenie:.....

Nazwa firmy:.....

.....

Adres:.....

Telefon:.....

Podpis osoby uruchamiającej urządzenie:.....

Ewidencja prac instalacyjnych, przeglądów, napraw:

Data	Zakres prac instalacyjnych, przeglądów, napraw	Podpis i pieczęć firmy instalacyjnej